

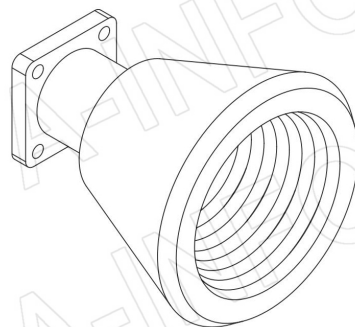
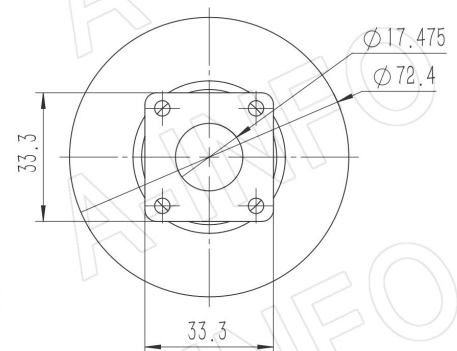
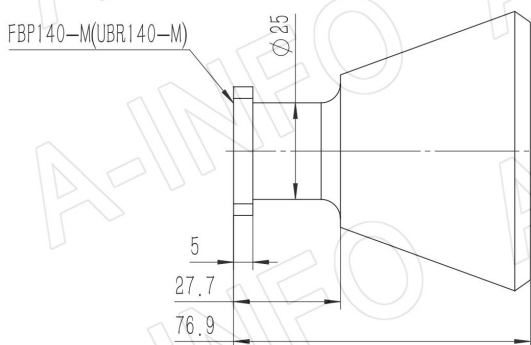
For reference only. See data sheet for the detailed specifications.

## Technical Specification



Frequency Range(GHz)	11.6 – 15.9
EIA WC	WC69
Circular WG Size	17.475mm / 0.69"
Gain(dBi)	15 Typ.
Polarization	Linear and Circular
3dB Beamwidth(deg)	E Plane: 33 Typ.
	H Plane: 31 Typ.
Cross Pol. Isolation(dB)	45 Typ.
VSWR	1.50:1 Typ.
Output	FBP140-M(UBR140-M)
Material	Al
Finish	Sliver Plated, Gray Paint
Size(mm)	72.7 x 72.7 x 76.9
Net Weight(Kg)	0.21 Around

## Outline Drawing (Size: mm)



## AINFO Inc.

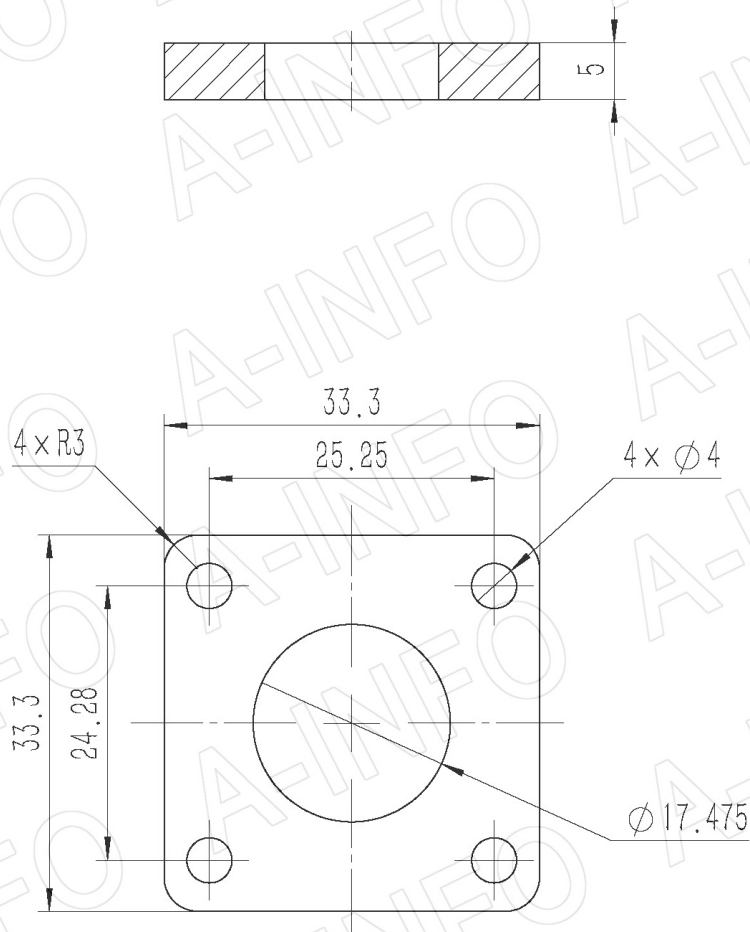
China(Beijing): Tel: (+86) 10-6266-7326,  
 China(Chengdu): Tel: (+86) 28-8519-2786,  
 USA : Tel: (+1) 949-639-9688,

Page 1 of 6

(+86) 10-6266-7327 Fax: (+86) 10-6266-7379  
 (+86) 28-8519-3044 Fax: (+86) 28-8519-3068  
 (+1) 949-639-9608 Fax: (+1) 949-639-9670

Website: [www.ainfoinc.com](http://www.ainfoinc.com)  
 Email: [sales@ainfoinc.com](mailto:sales@ainfoinc.com)

## Flange Drawing (Size: mm)



FBP140-M

### AINFO Inc.

China(Beijing): Tel: (+86) 10-6266-7326,  
China(Chengdu): Tel: (+86) 28-8519-2786,  
USA: Tel: (+1) 949-639-9688,

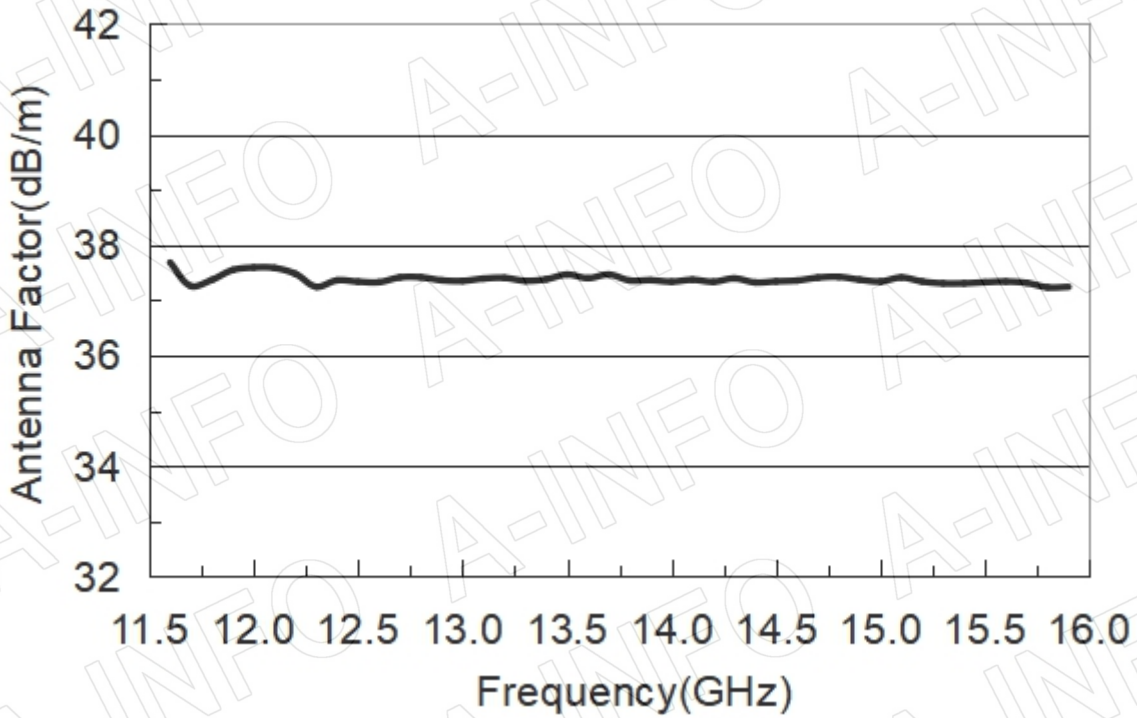
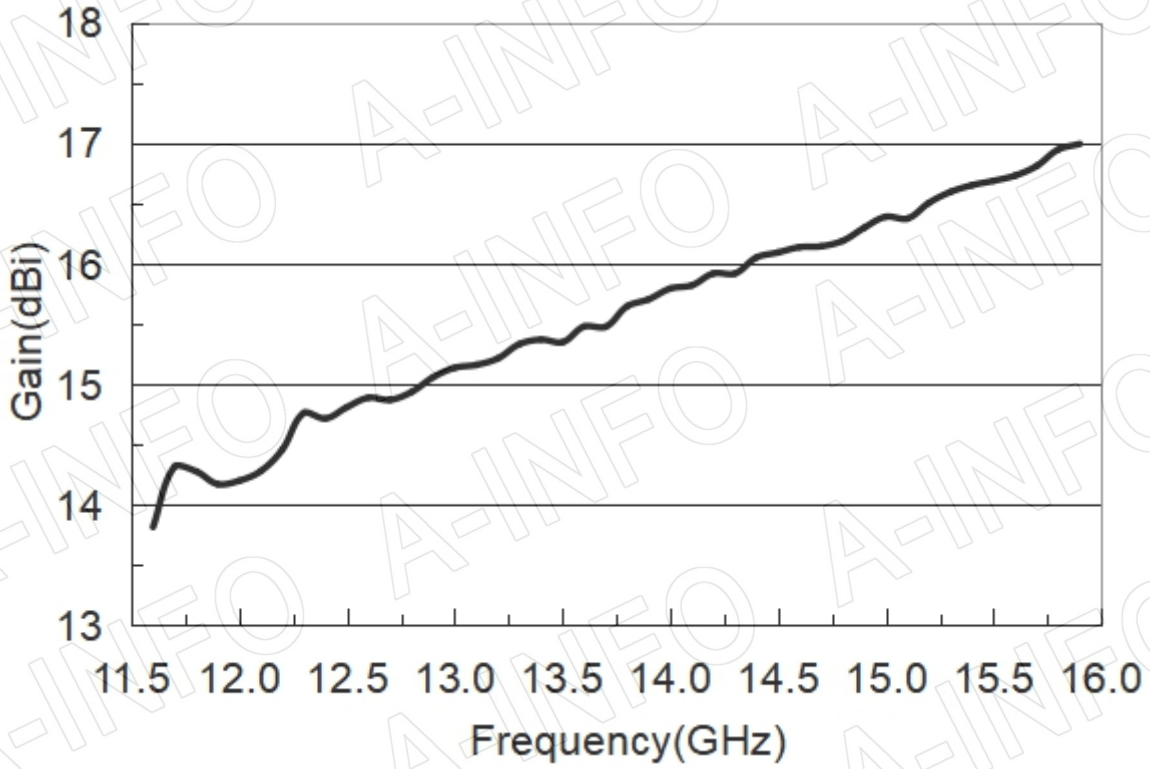
Page 2 of 6

(+86) 10-6266-7327 Fax: (+86) 10-6266-7379  
(+86) 28-8519-3044 Fax: (+86) 28-8519-3068  
(+1) 949-639-9608 Fax: (+1) 949-639-9670

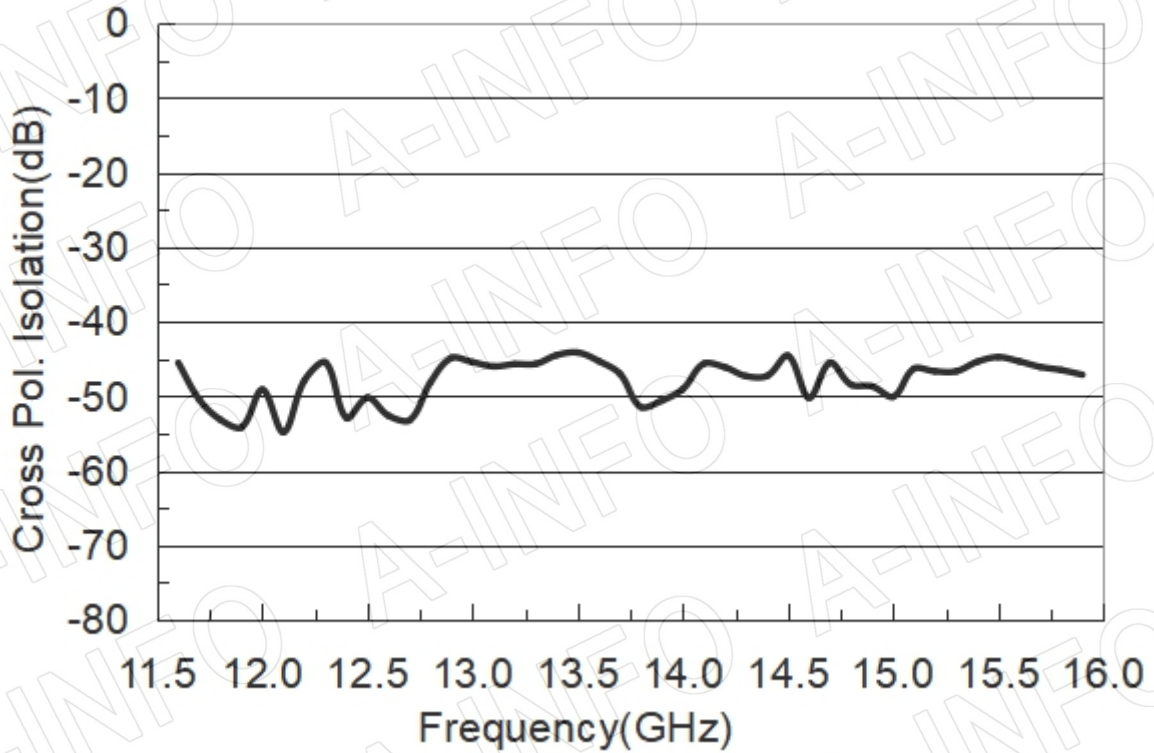
Website: [www.ainfoinc.com](http://www.ainfoinc.com)  
Email: [sales@ainfoinc.com](mailto:sales@ainfoinc.com)

## Test Results (Including circular to rectangular transition)

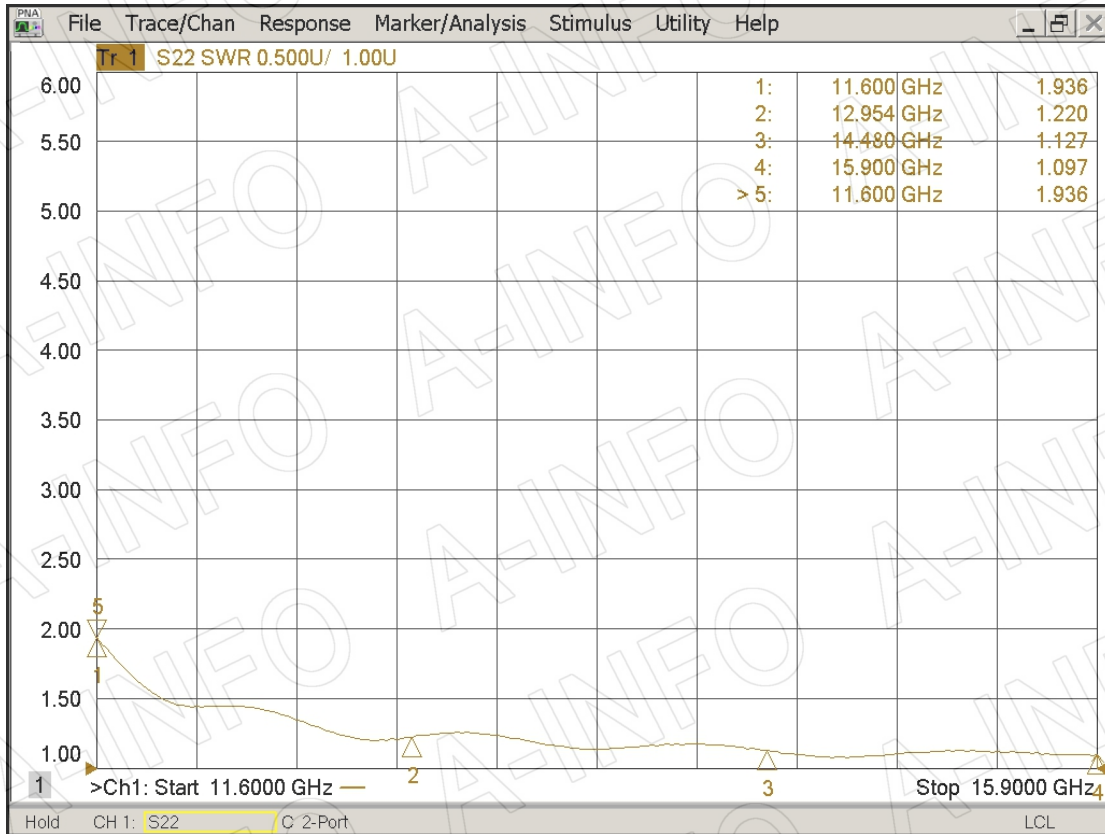
### 1. Gain & Antenna Factor



## 2. Cross Polarization Isolation



## 3. VSWR



## 4. Pattern

